

Internalex





the eyes are the
mirror of the **SOUL**
the **SMILE**
the mirror of the
HEART





INTRA-LOCK
S Y S T E M E U R O P A

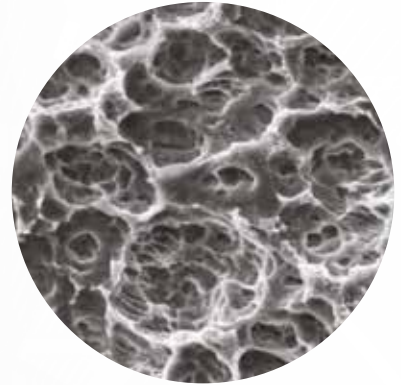


The **IDEAL** IMPLANT
of the **PRESENT**
and the
FUTURE



SURFACE TREATMENTS FHS

Fast Healing Surface. FHS offers an ideal structure for the adhesion of growth factors, accelerating the times of osseointegration.



STRUCTURE **BCL**

BCL
BONE CHIPS LAYERING

Bone Chips Layering

The **INTERNAL HEX** implant with BLC coil is ideal for immediate loading and traditional protocols. It also makes immediate protocols minimally invasive and predictable in all bone types.



45° BEVEL

Allows platform switching and stabilization of the supracrestal connective tissue, promoting aesthetics and bone stability.

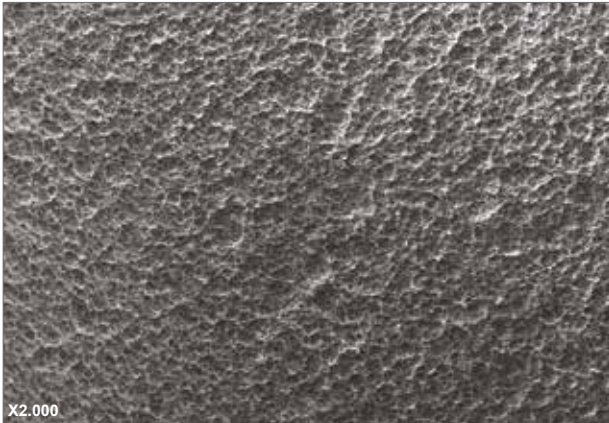


SINGLE HEXAGONAL CONNECTION



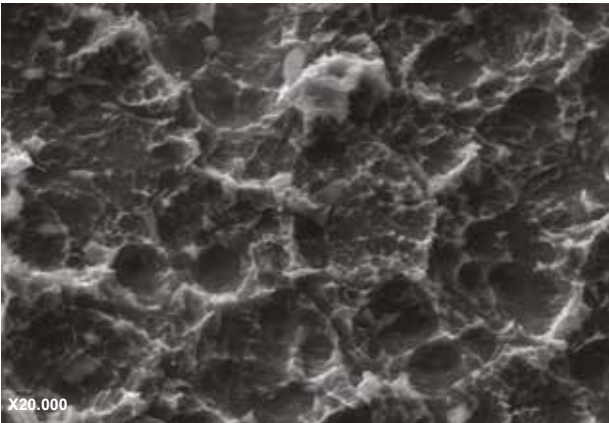
FHS FAST HEALING SURFACE

THE SPEED OF SURFACE HEALING



X2.000

Fig.1 - SEM enlargement that highlight the micro-roughness of the surface



X20.000

Fig.2 - SEM enlargement that highlight the micro-roughness of the surface



Fig.3 - Superficial topography by SEM that highlight the clean surface without residues.



Fig.4

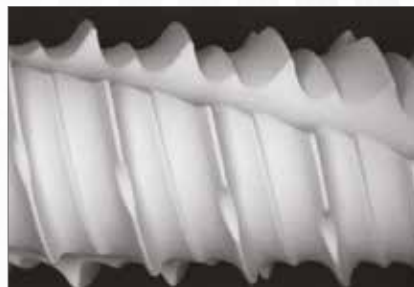


Fig.5



Fig.6

Images by **Nobil Bio Ricerche**

SURFACE TREATMENT

The FHS surface is obtained with a sandblasting process with a long-range roughness to which a short-range roughness is superimposed due to the double acidification treatment. This makes it possible to obtain a homogeneous surface micro-roughness over the entire implant surface (Fig. 1 and 2).

COLD PLASMA SURFACE DECONTAMINATION

This “sponge” topography offers an ideal structure for the adhesion of growth factors, accelerating osseointegration times.

After the surface treatments, the plants are subjected to an accurate decontamination process using cold plasma triggered by Argon GDT (Glow discharge treatment).

The GDT causes the removal of any organic contaminant without leaving residues (see Fig. 3,4,5 and 6). This “atomic sandblasting” by activating the ionization of the more superficial atoms of the titanium oxide increases the surface energy and the wettability of the fixture.

Micro threads to reduce stress and compression on the crestal cortex.

45° bevel that allows platform switching and stabilization of the supra-crestal connective tissue.



BCL with three outflow outlets:

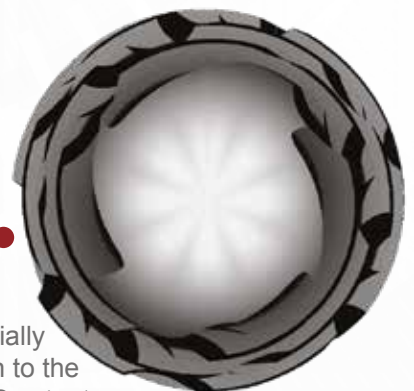
- Distribute and compact the chips of native bone up the entire implant surface
- Reduce bone compression
- Increase primary stability.

Implant core with double taper that allows positioning in cancellous bone even with undersized osteotomies.

Double threading with one coil that cuts and the other that compacts. Progressive and thin coil design for high primary stability and easy insertion.

Apical thread for immediate anchorage and optimal primary stability

Ball and atraumatic apex with reduced diameter specially designed to progress in to the implant site like an ACC osteotome.



SINGLE HEXAGON CONNECTION

- SINGLE INTERNAL HEXAGON CONNECTION
- 45° CONIC BEVEL
- SWITCHING PLATFORM INCORPORATED
- BIOLOGICAL RESPECT OF THE SUCRESTAL CONNECTIVE TISSUE



- THE COUPLING OF THE ABUTMENT IMPLANT WITH FRICTION CREATES A JOINT THAT ELIMINATES THE LOOSENING OF THE PROSTHETIC SCREW



BCL

BONE CHIPS LAYERING

The **CT Internal Hex** implant with **BCL** (Bone Chips Layering) thread has been designed to have a high cutting action, distributing the native bone over the entire implant surface (*fig. 1*).

The **BCL** thread and the morphology of the **CT** implant reduce bone compression to obtain optimal primary stability, making immediate loading protocols predictable and minimally invasive.



fig. 1



The **CT Internal Hex** implant with **BCL** thread was designed with an ideal coil and angulation that is ideal for bone types III and IV. These features, together with a spherical, atraumatic apex with a reduced diameter, allow significantly undersized osteotomies, compared to the diameter of the implant, obtaining an ideal primary stability.



Internalhex 

EASY
TECHNOLOGICAL
LONG-LIFE

THE IDEAL IMPLANT
for all
CLINICS

The **Internal Hex** line adds greater versatility to the already existing **INTRA-LOCK** system both from a prosthetic and surgical point of view.

With the **Internal Hex** line, clinicians can be sure that prosthetic restorations will last over time.

Internalhex

with thread **BCL**
BONE CHIPS LAYERING
**Excellent stability
primary also in
cancellous bone**



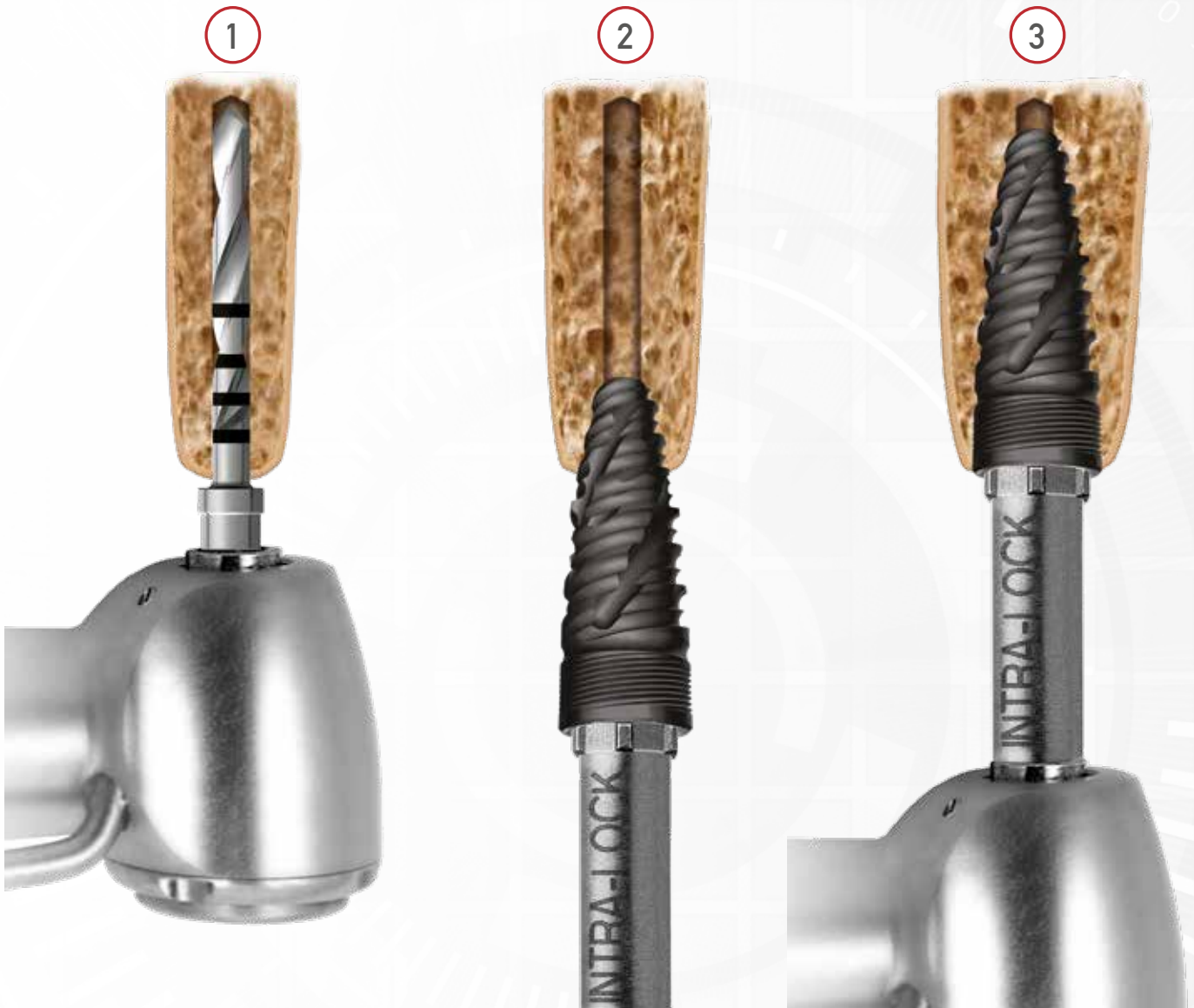
- ACTS AS AN OSTEOTOME-EXPANDER
- ONE COIL THAT CUT INCREASELY AND ONE THAT COMPACTS
- REDUCED APEX



The **CT Internal Hex** implant has a coil that cuts incrementally, increasing the cutting surface, always obtaining excellent primary stability.

Thanks to the double taper, a thread that cuts, one that compacts and with a reduced apex, becomes a “site specific” osteotome-expander implant in bone sites of minimum dimensions.

PROTOCOL **SPLIT CREST**



In sites that have horizontally reabsorbed bone crest the use of the **CT Internal Hex** implant is ideal to avoid the classic split crest techniques with chisels and osteotomes.

- 1 Prepare the alveolar access with a 2 mm diameter drill for the length of the chosen implant.
- 2 Insert the implant using the contraangle at 15 rpm.
- 3 The implant itself acts as an osteo-expander, increasing the horizontal dimension of the crest until it is fully housed.

STRAIGHT IMPLANT

4.0mmØ



Cap Screw included

Lenght	Product description	Platform	Code
6.5mm	4.0mm Diameter, BCL® Straight Body	Ø 3,5mm	IH-4006
8mm	4.0mm Diameter, BCL® Straight Body	Ø 3,5mm	IH-4008
10mm	4.0mm Diameter, BCL® Straight Body	Ø 3,5mm	IH-4010
11.5mm	4.0mm Diameter, BCL® Straight Body	Ø 3,5mm	IH-4011
13mm	4.0mm Diameter, BCL® Straight Body	Ø 3,5mm	IH-4013
15mm	4.0mm Diameter, BCL® Straight Body	Ø 3,5mm	IH-4015

Applications: Bone type I and II, Lateral Maxillary Incisors, Central Maxillary Incisors, Lateral Mandibular Incisors, Post extractions.

Note: Do not exceed the screwing torque of 60 Ncm

4.3mmØ



Cap Screw included

Lenght	Product description	Platform	Code
6.5mm	4.3mm Diameter, BCL® Straight Body	Ø 3,5mm	IH-4306
8mm	4.3mm Diameter, BCL® Straight Body	Ø 3,5mm	IH-4308
10mm	4.3mm Diameter, BCL® Straight Body	Ø 3,5mm	IH-4310
11.5mm	4.3mm Diameter, BCL® Straight Body	Ø 3,5mm	IH-4311
13mm	4.3mm Diameter, BCL® Straight Body	Ø 3,5mm	IH-4313
15mm	4.3mm Diameter, BCL® Straight Body	Ø 3,5mm	IH-4315

Applications: Bone type I and II, Lateral Maxillary Incisors, Central Maxillary Incisors, Lateral mandibular incisors, post extraction

Note: Do not exceed the screwing torque of 60 Ncm

CT IMPLANT

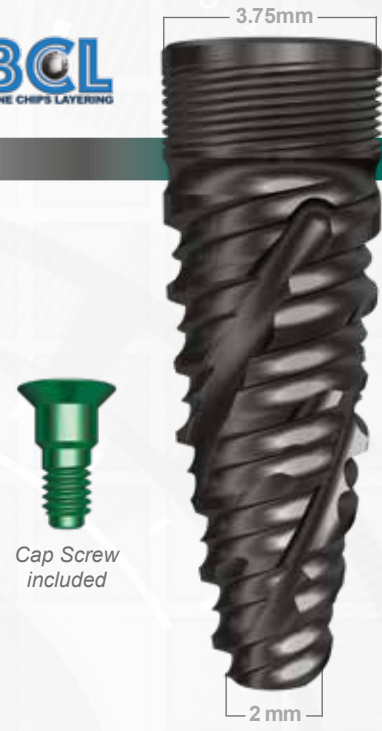


3.75mmØ

Lenght	Product description	Platform	Code
8mm	3.75mm Diameter, BCL® Conic Body	Ø 3,5mm	IH-CT3708
10mm	3.75mm Diameter, BCL® Conic Body	Ø 3,5mm	IH-CT3710
11.5mm	3.75mm Diameter, BCL® Conic Body	Ø 3,5mm	IH-CT3711
13mm	3.75mm Diameter, BCL® Conic Body	Ø 3,5mm	IH-CT3713
15mm	3.75mm Diameter, BCL® Conic Body	Ø 3,5mm	IH-CT3715

Applications: Bone type III and IV, Lateral Maxillary Incisors, Central Maxillary Incisors, Lateral Mandibular Incisors, Post extractions, Crestal expansion procedure.

Note: Do not exceed the screwing torque of 60 Ncm



Cap Screw included



4.0mmØ

Lenght	Product description	Platform	Code
8mm	4.0mm Diameter, BCL® Conic Body	Ø 3,5mm	IH-CT4008
10mm	4.0mm Diameter, BCL® Conic Body	Ø 3,5mm	IH-CT4010
11.5mm	4.0mm Diameter, BCL® Conic Body	Ø 3,5mm	IH-CT4011
13mm	4.0mm Diameter, BCL® Conic Body	Ø 3,5mm	IH-CT4013
15mm	4.0mm Diameter, BCL® Conic Body	Ø 3,5mm	IH-CT4015

Applications: Type III and IV bone, post extractions and crestal expansion procedure.

Note: Do not exceed the screwing torque of 60 Ncm



Cap Screw included



4.75mmØ

Lenght	Product description	Platform	Code
8mm	4.75mm Diameter, BCL® Conic Body	Ø 3,5mm	IH-CT4708
10mm	4.75mm Diameter, BCL® Conic Body	Ø 3,5mm	IH-CT4710
11.5mm	4.75mm Diameter, BCL® Conic Body	Ø 3,5mm	IH-CT4711
13mm	4.75mm Diameter, BCL® Conic Body	Ø 3,5mm	IH-CT4713

Applications: Maxillary canines, molars and maxillary premolars
Mandibular canines, molars and mandibular premolars

Note: Do not exceed the screwing torque of 60 Ncm



Cap Screw included

PROSTHETIC SYSTEM 3.5

NARROW HEALING SCREW



IH-HAN3

IH-HAN5

Lenght	Diameter	Product description	Code
3,0mm	3,5mm	Narrow Healing Screw	IH-HAN3
5,0mm	3,5mm	Narrow Healing Screw	IH-HAN5

REGULAR HEALING SCREW



IH-HA2

IH-HA3

IH-HA4

IH-HA5

Lenght	Diameter	Product description	Code
2,0mm	4,6mm	Regular Healing Screw	IH-HA2
3,0mm	4,6mm	Regular Healing Screw	IH-HA3
4,0mm	4,6mm	Regular Healing Screw	IH-HA4
5,0mm	4,6mm	Regular Healing Screw	IH-HA5

WIDE HEALING SCREW



IH-HAW3

IH-HAW4

IH-HAW5

Lenght	Diameter	Product description	Code
3,0mm	5,5mm	Wide Healing Screw	IH-HAW3
4,0mm	5,5mm	Wide Healing Screw	IH-HAW4
5,0mm	5,5mm	Wide Healing Screw	IH-HAW5

ESTETIC HEALING SCREW



IH-HAE2

IH-HAE3

IH-HAE4

Lenght	Diameter	Product description	Code
2,0mm	5,2mm	Estetic Healing Screw	IH-HAE2
3,0mm	5,2mm	Estetic Healing Screw	IH-HAE3
4,0mm	5,2mm	Estetic Healing Screw	IH-HAE4

PROSTHETIC SYSTEM 3.5

TRANSFER OPEN TRAY

Product description

Transfer Abutment Open Tray with long screw – Regular profile

Code

IH-OTT



IH-OTT

Product description

Transfer Abutment Open Tray with long screw – Narrow profile

Code

IH-OTTN



IH-OTTN

TRANSFER CLOSED TRAY

Product description

Transfer Abutment Closed Tray with short screw

Code

IH-T

Transfer Cap

IH-TC



IH-TC

IH-T

PROSTHETIC SYSTEM 3.5

ANALOG



IH-A

Product description

Analog

Code

IH-A

PEEK ABUTMENT



IH-PA4NR

Height

4,0mm

Not Rotating

Product description

Peek Abutment

Code

IH-PA4NR



IH-PA4R

Height

4,0mm

Rotating

Product description

Peek Abutment

Code

IH-PA4R

PROSTHETIC SYSTEM 3.5

NARROW STRAIGHT ABUTMENT

Height	Product description	Code
2,5mm	Narrow straight abutment with retaining screw	IH-SAN2

Final torque 25 Ncm



IH-SAN2

REGULAR STRAIGHT ANATOMICAL ABUTMENT

Height	Product description	Code
2,0mm	Regular straight anatomical abutment with retaining screw	IH-SAA2
4,0mm	Regular straight anatomical abutment with retaining screw	IH-SAA4

Final torque 25 Ncm



IH-SAA2

STRAIGHT ANATOMICAL ABUTMENT - WIDE

Height	Product description	Code
2,0mm	Wide straight abutment with retaining screw	IH-SAW2
4,0mm	Wide straight abutment with retaining screw	IH-SAW4

Final torque 25 Ncm



IH-SAW2

PROSTHETIC SYSTEM 3.5

ESTETIC STRAIGHT ABUTMENT



IH-SAE1R

Altezza		Descrizione prodotto	Codice
1,0mm	Rotating	Straight abutment estetic with retaining screw	IH-SAE1R

Final torque 25 Ncm



IH-SAE1

Height		Product description	Code
1,0mm	Not Rotating	Straight abutment estetic with retaining screw	IH-SAE1
2,0mm	Not Rotating	Straight abutment estetic with retaining screw	IH-SAE2
3,0mm	Not Rotating	Straight abutment estetic with retaining screw	IH-SAE3

Final torque 25 Ncm

ANGLED ABUTMENT 15°



IH-A15-1

Height		Product description	Code
1,0mm		Angled abutment 15° with retaining screw	IH-A15-1
2,0mm		Angled abutment 15° with retaining screw	IH-A15-2
3,0mm		Angled abutment 15° with retaining screw	IH-A15-3

Final torque 25 Ncm

PROSTHETIC SYSTEM 3.5

ESTETIC ANGLED ABUTMENT 15°

Height	Product description	Code
1,0mm	Estetic Angled abutment 15° with retaining screw	IH-AE15-1
2,0mm	Estetic Angled abutment 15° with retaining screw	IH-AE15-2

Final torque 25 Ncm



IH-AE15-1

ANGLED ABUTMENT 25°

Height	Product description	Code
1,0mm	Angled abutment 25° with retaining screw	IH-A25-1
2,0mm	Angled abutment 25° with retaining screw	IH-A25-2
3,0mm	Angled abutment 25° with retaining screw	IH-A25-3

Final torque 25 Ncm



IH-A25-1

ESTETIC ABUTMENT 25°

Height	Product description	Code
1,0mm	Estetic Angled abutment 25° with retaining screw	IH-AE25-1
2,0mm	Estetic Angled abutment 25° with retaining screw	IH-AE25-2

Final torque 25 Ncm



IH-AE25-1

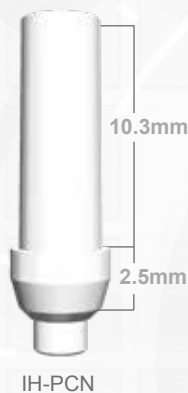
PROSTHETIC SYSTEM 3.5

CASTABLE ABUTMENT



Height		Product description	Code
2,5mm	Not Rotating	Castable abutment with retaining screw	IH-PCH

Final torque 25 Ncm



Height		Product description	Code
2,5mm	Rotating	Castable abutment with retaining screw	IH-PCN

Final torque 25 Ncm

CASTABLE ABUTMENT WITH CR/CO BASE



Height		Product description	Code
2,0mm	Not Rotating	Castable abutment in cr/co with retaining screw	IH-CACNR

Final torque 25 Ncm



Height		Product description	Code
2,0mm	Rotating	Castable abutment in cr/co with retaining screw	IH-CACCR

Final torque 25 Ncm

PROSTHETIC SYSTEM 3.5

BALL ABUTMENT

Height	Product description	Code
1mm	Ball abutment	IH-BA1
2mm	Ball abutment	IH-BA2
3mm	Ball abutment	IH-BA3
4mm	Ball abutment	IH-BA4



IH-BA2

Descrizione prodotto	Codice
Ball abutment Analog	C-OBA
O-Ring for BBA	ORB
Metal Box for ball abutment	BBA
O-Ring for BBAS	ORBS
Metal Box for ball abutment - SMALL	BBAS



IN-LOC ABUTMENT

Height	Product description	Code
1mm	In-Loc Abutment	IH-LOC1
2mm	In-Loc Abutment	IH-LOC2
3mm	In-Loc Abutment	IH-LOC3
4mm	In-Loc Abutment	IH-LOC4
5mm	In-Loc Abutment	IH-LOC5
6mm	In-Loc Abutment	IH-LOC6
	Pack of 5pcs spare caps	ILP01-E



IH-LOC3



ILP01

Product description	Code
Nylon driver for In-Loc	IL-IN
Contrangle driver for In-Loc	IL-CAD
Manual driver for In-Loc	IL-DM



IL-IN



IL-CAD



IL-DM

PROSTHETIC SYSTEM 3.5

DIGITAL SOLUTIONS



IH-SB



IH-AD



IH-TICO2NR



IH-TICO2R



IH-TIBASE1

Product description

Scan body

Code

IH-SB

Product description

Cad-cam Analog

Code

IH-AD

Height

1,0mm Not Rotating

Product description

Titanium link

Code

IH-TICO1NR

2,0mm Not Rotating

Titanium link

IH-TICO2NR

3,0mm Not Rotating

Titanium link

IH-TICO3NR

Height

1,0mm Rotating

Product description

Titanium link

Code

IH-TICO1R

2,0mm Rotating

Titanium link

IH-TICO2R

3,0mm Rotating

Titanium link

IH-TICO3R

Height

1mm

Product description

TiBase titanium

Code

IH-TIBASE



TiBase positioned on the analog in the model



ScanBody positioned correctly on the TiBase

TiBase for fabricating ceramic prostheses with the Sirona® CEREC® bonding system. Indications for Sirona® Scanner: For a complete procedure it will be necessary to insert the gray (Grey Cat. # 6431329) or white (White Cat. # 6431303) Scanbody on the TiBase, according to the type of scanner, making sure that the internal slot, for the guided procedure, is aligned with the position of the TiBase.

For setting the Sirona® CAD software: set the parameters of the Zimmer ZTSV3.5L

PROSTHETIC SYSTEM 3.5

TEMPORARY ABUTMENT

Height		Product description	Code
0,7mm	Rotating	Narrow abutment for Toronto	IH-ATT



IH-ATT

Height		Product description	Code
1,0mm	Not Rotating	Titanium abutment	IH-ATNR



IH-ATNR

Height		Product description	Code
1,0mm	Rotating	Titanium abutment	IH-ATR



IH-ATR

MULTI UNIT 3.5

STRAIGHT ABUTMENT



IH-MUD2

Height	Product description	Code
1,0mm	Straight abutment MUA	IH-MUD1
2,0mm	Straight abutment MUA	IH-MUD2
3,0mm	Straight abutment MUA	IH-MUD3
4,0mm	Straight abutment MUA	IH-MUD4

ANGLED ABUTMENT



IH-CAA17-3



IH-CAA30-3



IH-CAA45-4

	Product description	Code
3,0mm	Angled Abutment MUA 17°	IH-CAA17-3
4,0mm	Angled Abutment MUA 17°	IH-CAA17-4

	Product description	Code
3,0mm	Angled Abutment MUA 30°	IH-CAA30-3
4,0mm	Angled Abutment MUA 30°	IH-CAA30-4

	Product description	Code
4,0mm	Angled Abutment MUA 45°	IH-CAA45-4

AESTHETIC ANGLED ABUTMENT



IH-MUA17-2



IH-MUA30-3



IH-MUA45-4

	Product description	Code
2,0mm	Aesthetic angled Abutment MUA 17°	IH-MUA17-2
3,0mm	Aesthetic angled Abutment MUA 17°	IH-MUA17-3

	Product description	Code
3,0mm	Aesthetic angled Abutment MUA 30°	IH-MUA30-3
4,0mm	Aesthetic angled Abutment MUA 30°	IH-MUA30-4

	Product description	Code
4,0mm	Aesthetic angled Abutment MUA 45°	IH-MUA45-4

MULTI UNIT 3.5

CYLINDERS

Product description	Code
Castable cylinder MUA with retaining screw	M-CA
Titanium cylinder MUA with retaining screw	M-TA



M-CA



M-TA

TRANSFER AND ANALOG

Product description	Code
Transfer for Mua with long screw	M-AOTT
Analog for Mua	M-AA
Healing screw for Mua	M-ACS



M-AA



M-AOTT



M-ACS

DIGITAL

Product description	Code
Digital analog for MUA	M-AAD
Optional screw for analog	SAA
Link Abutment	M-LK
Scan Body	M-SB



M-AAD



SAA



M-LK



M-SB

Internalhex

LINEA CILINDRICA 3.0



3.3mmØ

Lenght	Product description	Platform	Code
8mm	3.3mm Diameter, BCL® Cylindrical Body	Ø 3,0mm	IH-3308
10mm	3.3mm Diameter, BCL® Cylindrical Body	Ø 3,0mm	IH-3310
11.5mm	3.3mm Diameter, BCL® Cylindrical Body	Ø 3,0mm	IH-3311
13mm	3.3mm Diameter, BCL® Cylindrical Body	Ø 3,0mm	IH-3313
15mm	3.3mm Diameter, BCL® Cylindrical Body	Ø 3,0mm	IH-3315



Applications: Maxillary Lateral Incisors, Maxillary Central Incisors, Mandibular Lateral Incisors

Note: Do not exceed the screwing torque of 60 Ncm



Cap Screw included



PROSTHETIC SYSTEM 3.0

HEALING SCREW

Height	Diameter	Product description	Code
3.0mm	4.0mm	Healing Screw	IHN-HA3
5.0mm	4.0mm	Healing Screw	IHN-HA5



IHN-HA3

HEALING ABUTMENT NARROW

Height	Diameter	Product description	Code
3.0mm	4.0mm	Healing Screw Narrow	IHN-HA3N
3.0mm	4.0mm	Healing Screw Narrow	IHN-HA5N



IHN-HA3N

TRANSFER OPEN TRAY

Product description	Code
Transfer Abutment Open Tray with long screw for 3.0	IHN-OTT

Product description	Code
Transfer Abutment Closed Tray with short screw	IHN-T
Transfer Cap	IHN-TC



IHN-T



IHN-TC



IHN-OTT

ANALOG

Product description	Code
Analog	IHN-A



IHN-A

PROSTHETIC SYSTEM 3.0

STRAIGHT ABUTMENT



IHN-SA1

Product description

Straight abutment with retaining screw

Code

IHN-SA1

Final torque 25 Ncm

STRAIGHT ABUTMENT



IHN-SA1L

Height

1.0mm

Product description

Straight abutment with retaining screw

Code

IHN-SA1L

Final torque 25 Ncm

ANGLED ABUTMENT



IHN-A15-2

Height

2.0mm

Product description

Angled abutment 15° with retaining screw

Code

IHN-A15-2

Final torque 25 Ncm

CASTABLE



IHN-PCH

Product description

Castable

Code

IHN-PCH

PROSTHETIC SYSTEM 3.0

DIGITAL SOLUTION

Product description

Scan body

Code

IHN-SB



IHN-SB

Product description

CAD-CAM analog

Code

IHN-AD



IHN-AD

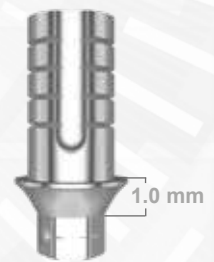
Altezza

Descrizione prodotto

Codice

1.0mm	Not Rotating	Titanium link with screw
2.0mm	Not Rotating	Titanium link with screw

IHN-TICO1NR
IHN-TICO2NR



IHN-TICO1NR

Altezza

Descrizione prodotto

Codice

1.0mm	Rotating	Titanium link with screw
2.0mm	Rotating	Titanium link with screw

IHN-TICO1R
IHN-TICO2R



IHN-TICO1R

MULTI UNIT 3.0

MUA ABUTMENT



IHN-MUD2

Height	Product description	Code
2mm	Straight Abutment MUA for 3.0	IHN-MUD2
4mm	Straight Abutment MUA for 3.0	IHN-MUD4

MUA CYLINDERS



M-CA



M-TA

Product description	Code
Castable Cylinder with screw for MUA	M-CA
Titanium Cylinder with screw for MUA	M-TA

TRANSFER AND ANALOG



M-AOTT



M-AA



M-ACS

Product description	Code
Transfer with long screw for MUA	M-AOTT
Analog for MUA	M-AA
Healing screw for MUA	M-ACS

DIGITAL



M-AAD



SAA



M-LK



M-SB

Product description	Code
MUA digital analog	M-AAD
Optional screw for MUA analog	SAA
Link Abutment	M-LK
Scan Body	M-SB

PROSTHETIC SCREWS

SCREWS

Product description

Clinical retention screw

Code

S-CS



S-CS

Product description

Clinical screw for MUA cylinders

Code

M-ARS

Screw Abutment for MUA

M-AS



M-ARS



M-AS

ANGLED SCREWS

Product description

Screwdriver for angled screw
(compatible with Ratchet 4x4mm)

Code

ELBD

Conrtriangle driver for angled screw

ELBDCA



15°



ELBD



ELBDCA

Product description

Clinical angled retention screw for Conic CT and Internal Hex

Code

ASCA



ASCA

INSTRUMENTS

DRIVERS 3.5



IH-ELRL



IH-ELRS



IH-ELCAL



IH-ELCAS

Platform	Product description	Code
Ø 3,5mm	Short driver for ratchet	IH-ELRL
Ø 3,5mm	Long driver for ratchet	IH-ELRS
Ø 3,5mm	Short driver for contrangle	IH-ELCAL
Ø 3,5mm	Long driver for contrangle	IH-ELCAS

These Drivers allow the clinician to take the implant directly from the sterile package and transport it to the osteotomy site. Screw up to 35 Ncm with Contra-angle Driver while with Ratchet do not exceed 60 Ncm.

DRIVERS 3.0



IHN-ELRL



IHN-ELRS



IHN-ELCAL



IHN-ELCAS

Platform	Product description	Code
Ø 3,0mm	Short driver for ratchet	IHN-ELRL
Ø 3,0mm	Long driver for ratchet	IHN-ELRS
Ø 3,0mm	Short driver for contrangle	IHN-ELCAL
Ø 3,0mm	Long driver for contrangle	IHN-ELCAS

These Drivers allow the clinician to take the implant directly from the sterile package and transport it to the osteotomy site. Screw up to 35 Ncm with Contra-angle Driver while with Ratchet do not exceed 60 Ncm.

IMPLANT SURGICAL DRIVER



ELISD

Product Description	Code
Implant Surgical Driver	ELISD

INSTRUMENTS

SCREWDRIVERS

Product description

Long screwdriver - Ø 1.27mm

Short screwdriver - Ø 1.27mm

Code

EDL

EDC



EDL



EDC

Product description

Long Extractor for Clinical Screw S-CS

Drill extension

Code

C-EXTRL

DE



C-EXTRL



DE

PARALLELISM PIN

Product description

Parallelism PIN

Code

PP2



PP2

ROTARY TISSUE PUNCH

Product description

Contrangle Rotary Tissue Punch Ø 3mm

Contrangle Rotary Tissue Punch Ø 4mm

Contrangle Rotary Tissue Punch Ø 5mm

Code

RPCA3

RPCA4

RPCA5



RPCA4

FRESE PER SPALLA

Product description

Countersink Ø 3.4mm

Countersink Ø 4mm

Countersink Ø 4.75mm

Countersink Ø 3.6mm

Countersink Ø 3.8mm

Countersink Ø 4.4mm

Code

CS-34

CS-40

CS-475

CS-375P

CS-40P

CS-475P



CS-34

INSTRUMENTS

RATCHET



Descrizione prodotto

Surgical Ratchet
Standard 4x4mm connection adapter

Code

SRW
UNACR4

TORQUE RATCHET SCREWDRIVERS



Product description

Long Screwdrivers for Torque Ratchet Ø 1.27mm
Long Screwdrivers for Torque Ratchet Ø 1.27mm

Code

ELDL
ELDS

DRIVER MUA



Product description

Easy Driver C/A for Straight MUA
Easy Driver adaptor 4x4 for Straight MUA
Easy Driver for Straight MUA

Code

EDMSCA
EDMSRA
EDMS

Easy Driver C/A for Angled MUA

EDMTI

TORQUE WRENCH



Descrizione prodotto

Torque-Wrench 10-40 Ncm

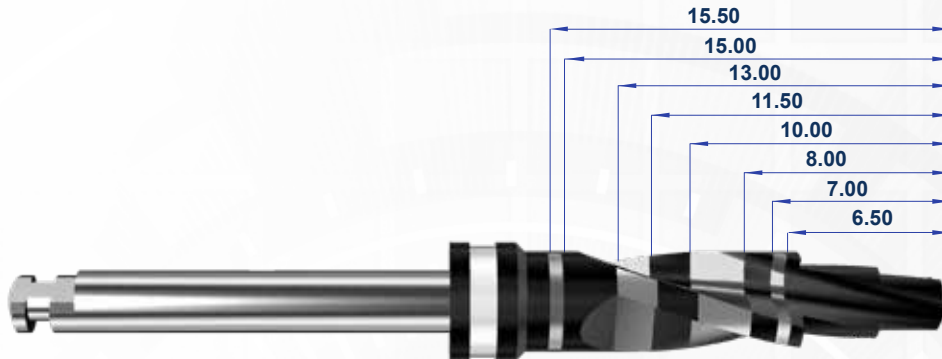
Codice

CTL-1040

The lightweight titanium design is easy to use as an adjustable torque wrench or ratchet. Quickly disassembles for cleaning. No calibration required. Include standard 4x4 adapter

DRILLS

FRESE



Product description	Code
Pilot Drill	LD

Product description	Code
Drill Ø 2.2 x 15mm	D-22
Drill Ø 2.5 x 15mm	D-25
Drill Ø 2.8 x 15mm	D-28
Drill Ø 3.2 x 15mm	D-32
Drill Ø 3.6 x 15mm	D-36
Drill Ø 3.8 x 15mm	D-38
Drill Ø 4.4 x 15mm	D-44



Product description	Code
Final Conical Drill 3.75mm	DCT-375
Final Conical Drill 4.00mm	DCT-40
Final Conical Drill 4.75mm	DCT-475

Product description	Code
Drill Stop 6.5mm	DS-065
Drill Stop 7mm	DS-07
Drill Stop 8mm	DS-08
Drill Stop 9mm	DS-09
Drill Stop 10mm	DS-10
Drill Stop 11.5mm	DS-115
Drill Stop 12mm	DS-12
Drill Stop 13mm	DS-13
Drill Stop 14mm	DS-14
Drill Stop 15mm	DS-15



KIT • SURGICAL INSTRUMENTATIONS

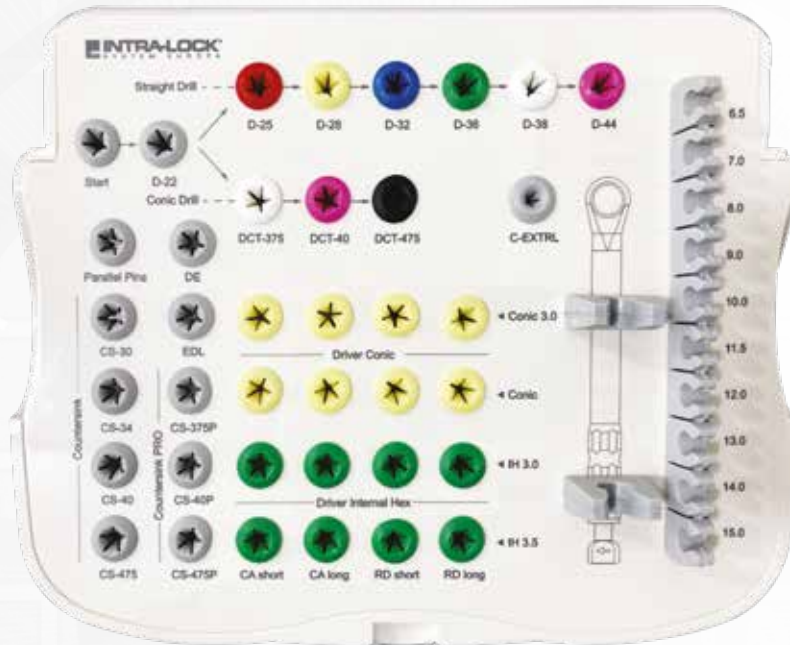
SURGICAL BOX

Product description

SURGICAL BOX

Code

SKILK



BONE DENSITY: DRILLING SEQUENCE

BONE DENSITY AND DRILL PASSAGES FOR IMPLANT PLACEMENT

BONE DENSITY INDEX ACCORDING TO THE TRADITIONAL ZARB-LEKHOLM CLASSIFICATION:

Type D1: Compact and homogeneous bone

Type D2: A thick layer of compact bone covers the dense trabecular bone

Type D3: A thin layer of compact bone covers the dense trabecular bone

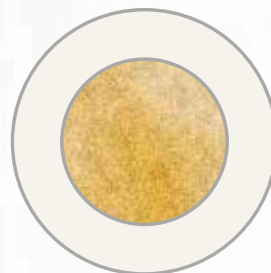
Type D4: A thin, or almost absent, layer of compact bone covers the low-density trabecular bone



TIPO D1:



TIPO D2:

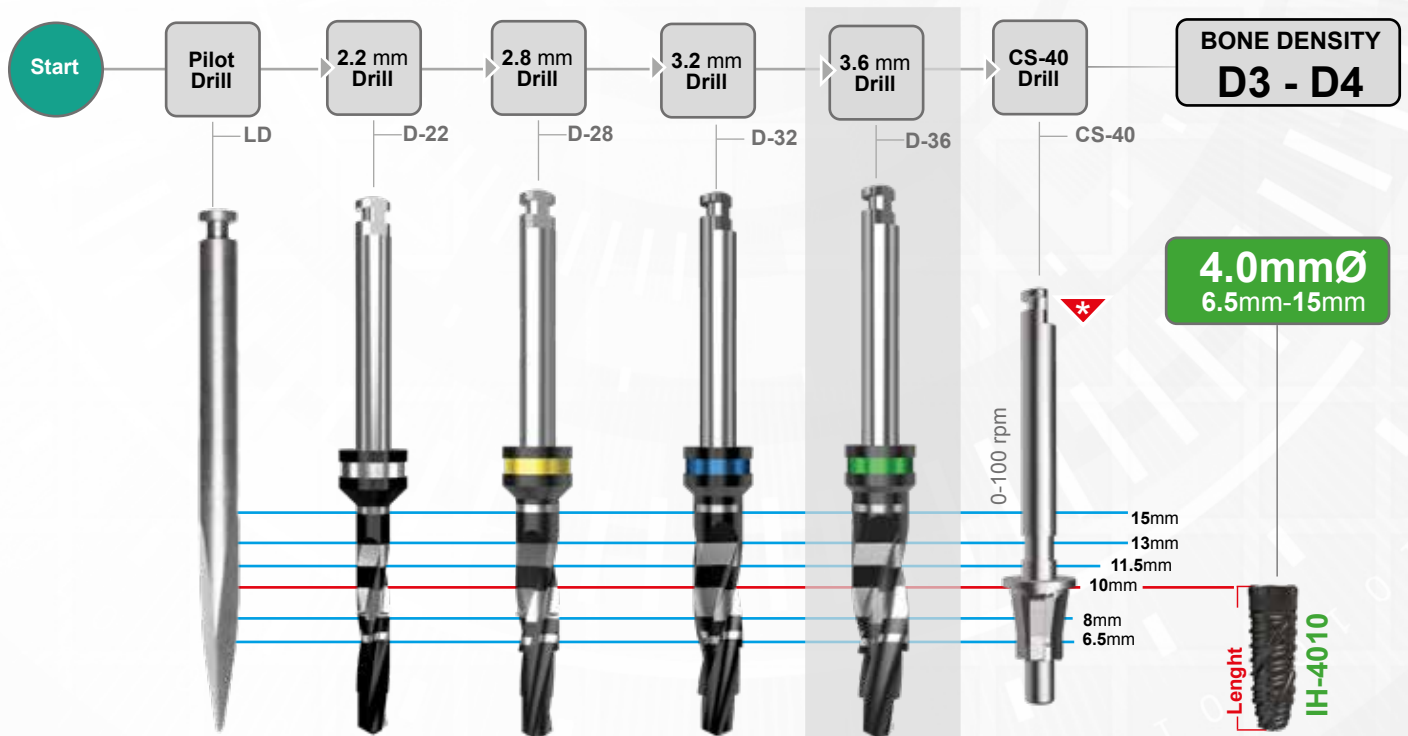
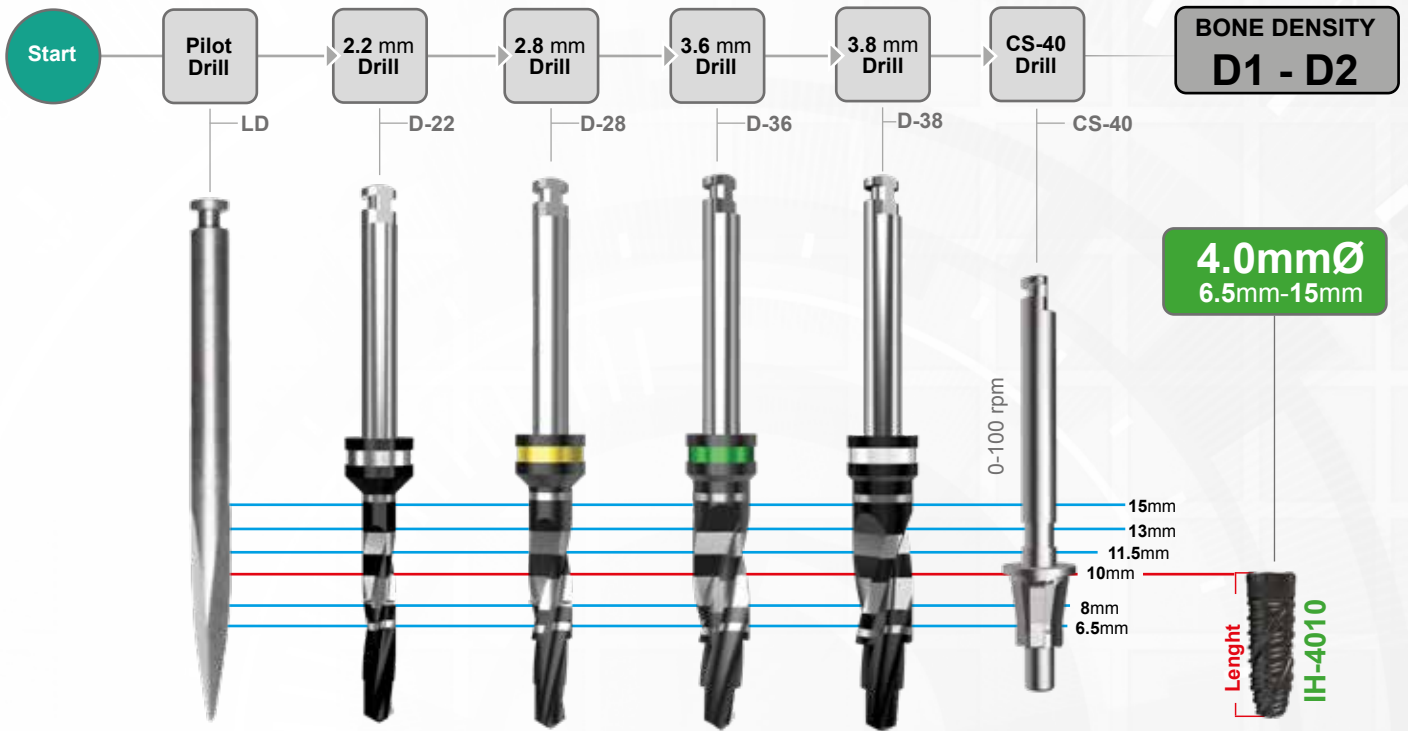


TIPO D3:



TIPO D4:

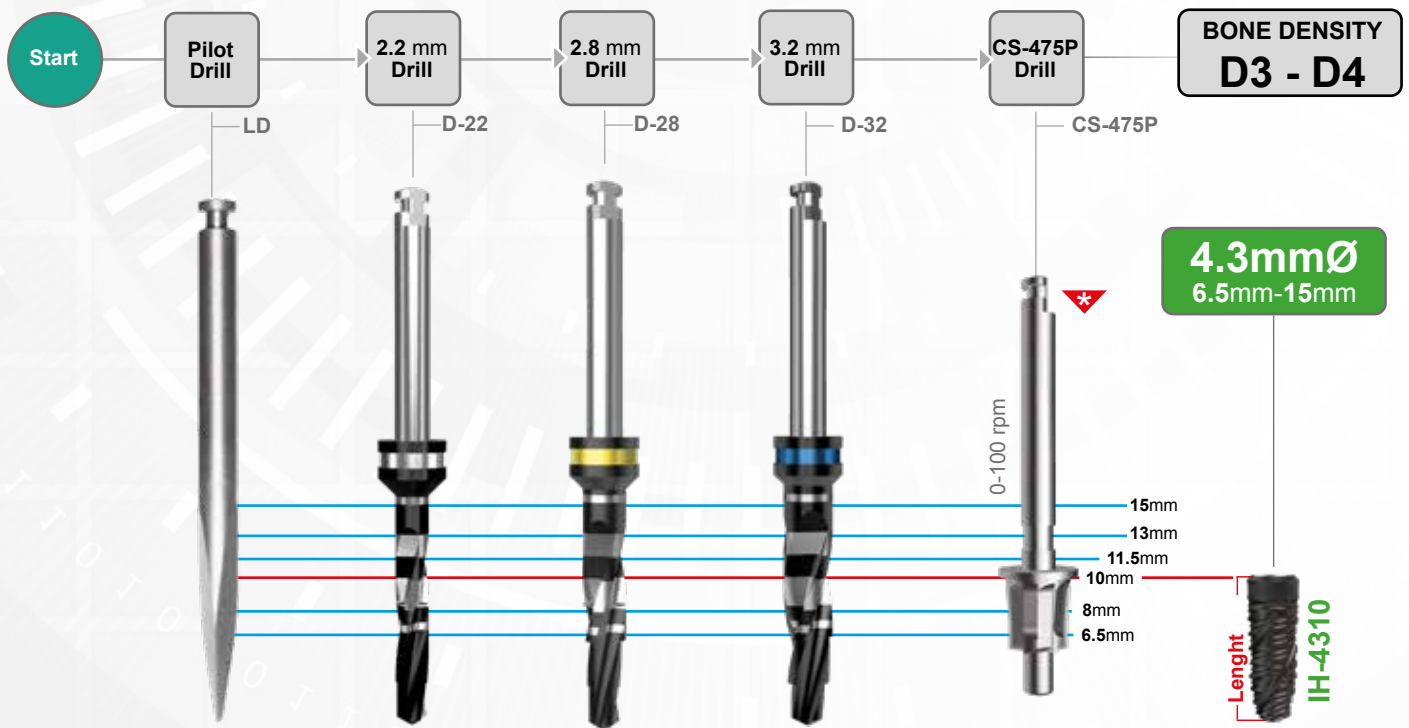
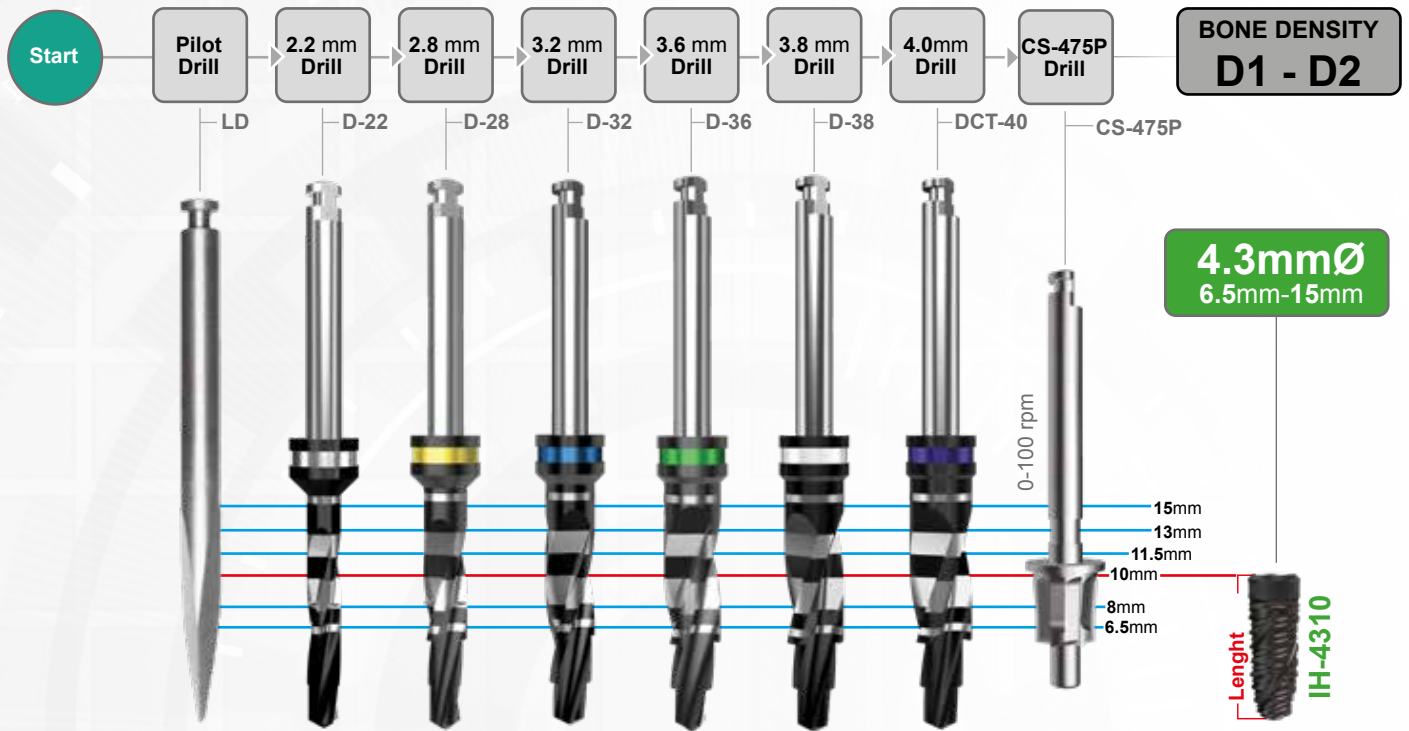
DRILL PASSAGES: Straight body implants



The D-36 drill is to be used only in the presence of the D3 bone.

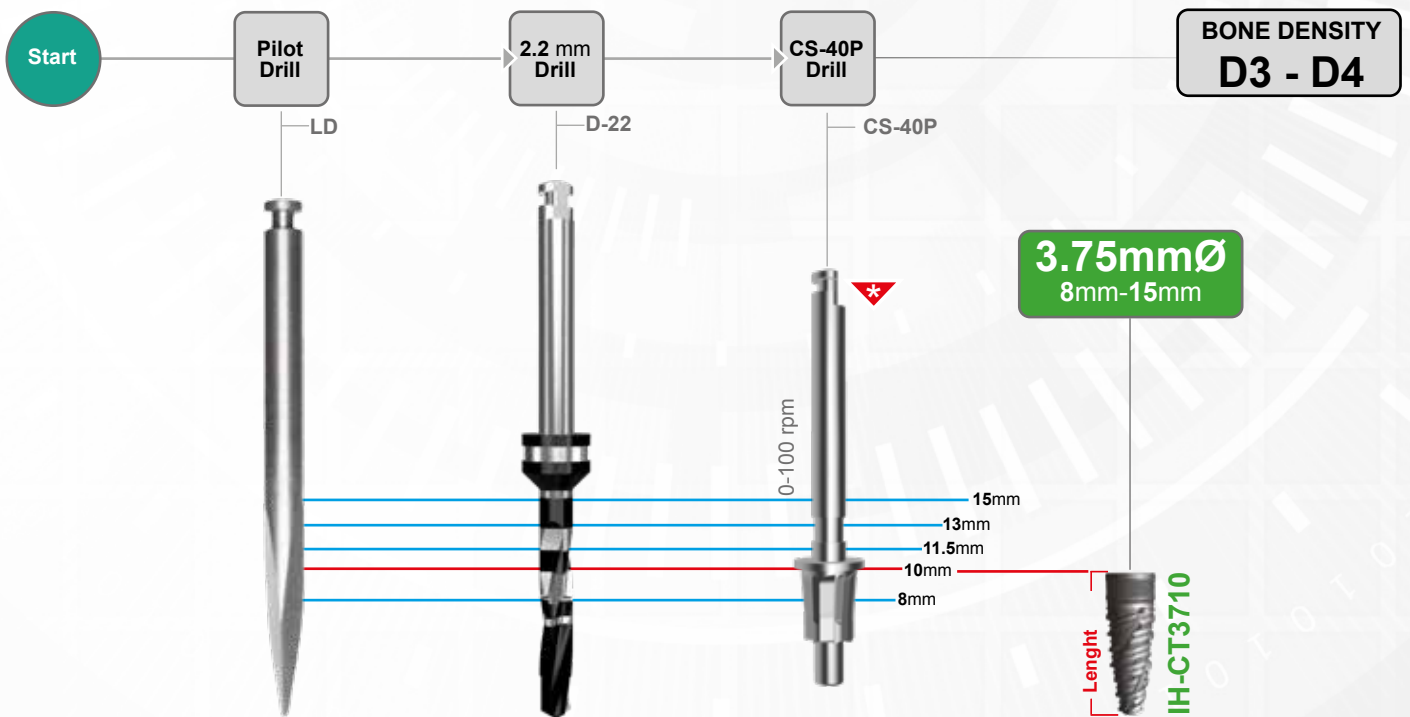
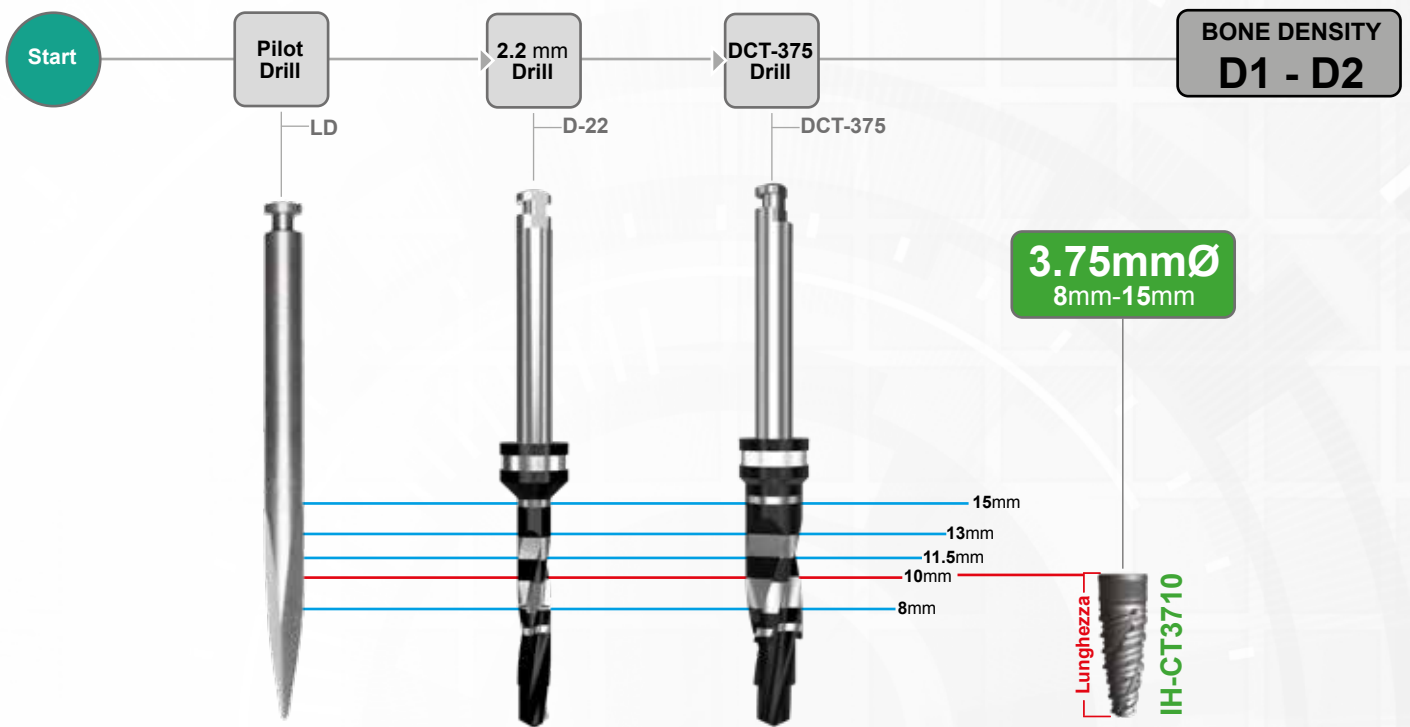
✱ To be used in the presence of hard cortex.

DRILL PASSAGES: Straight body implants



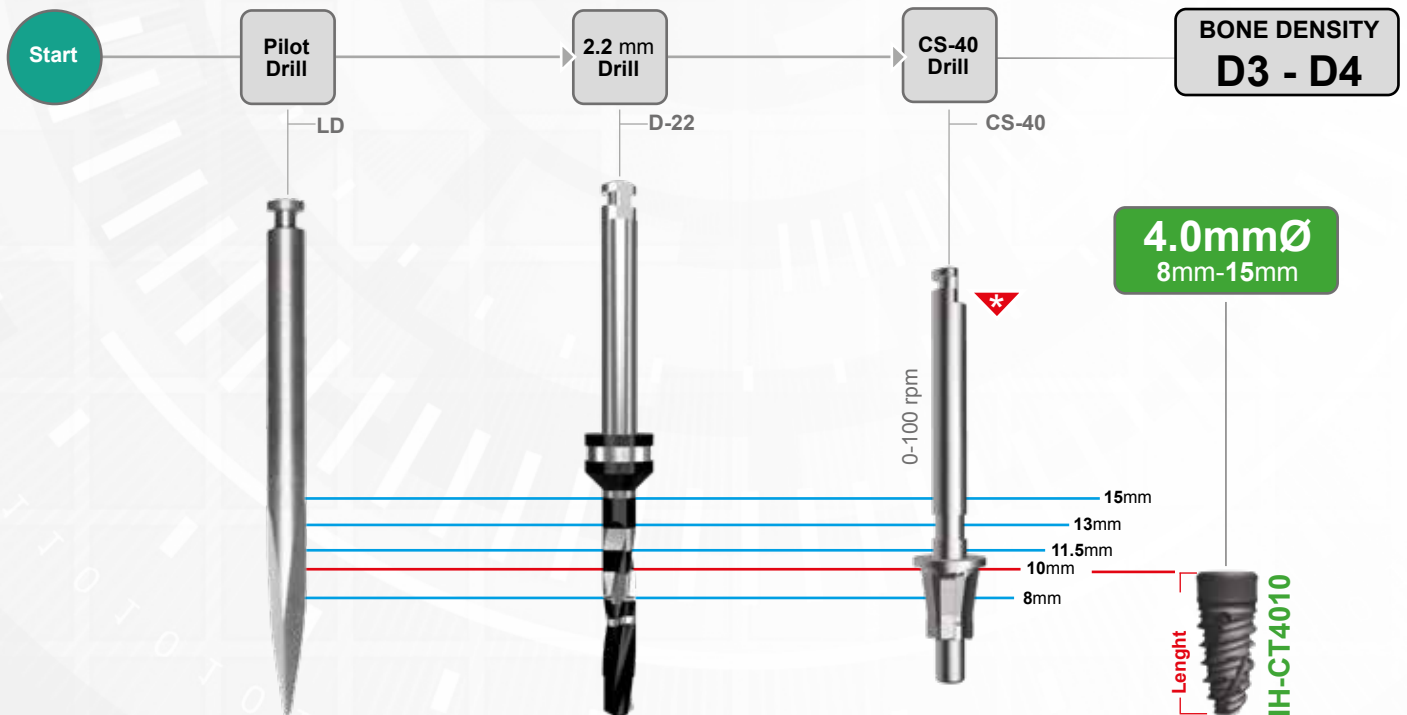
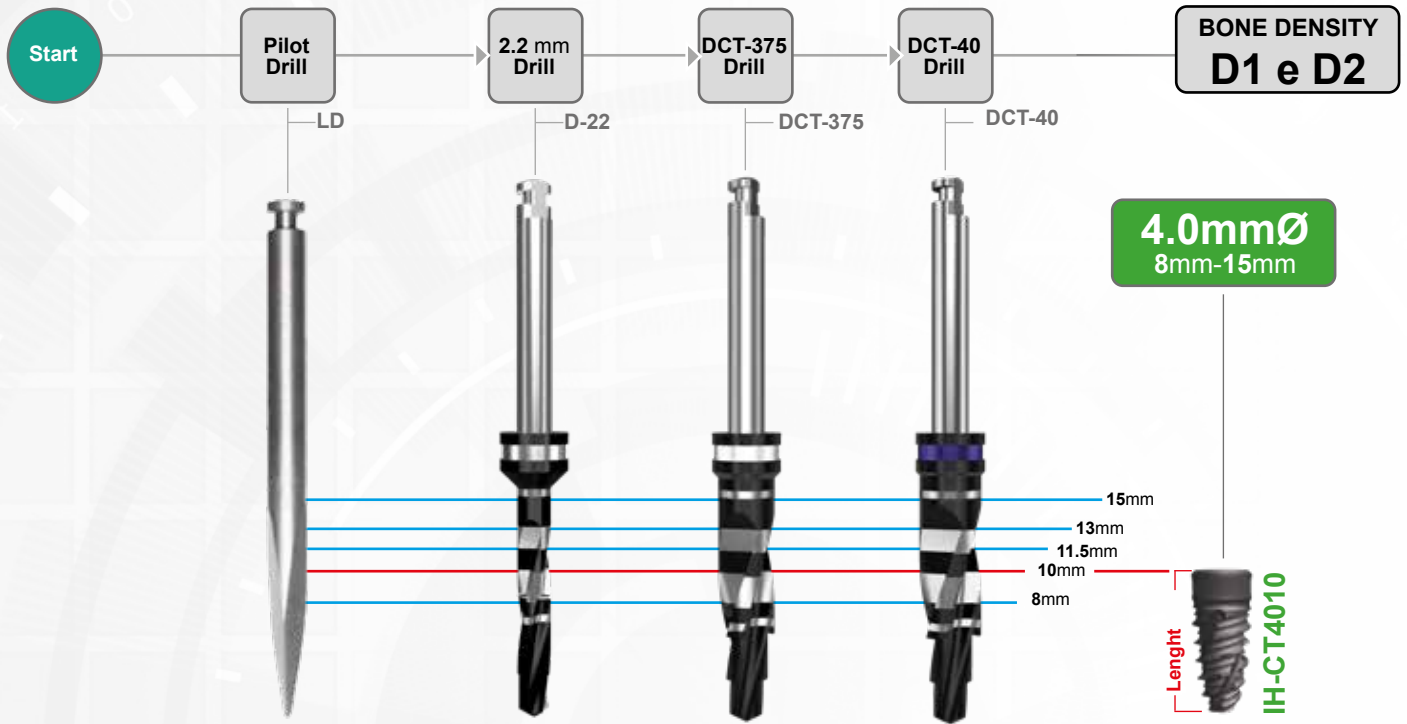
⚠ To be used in the presence of hard cortex.

DRILL PASSAGES: Conic body implants



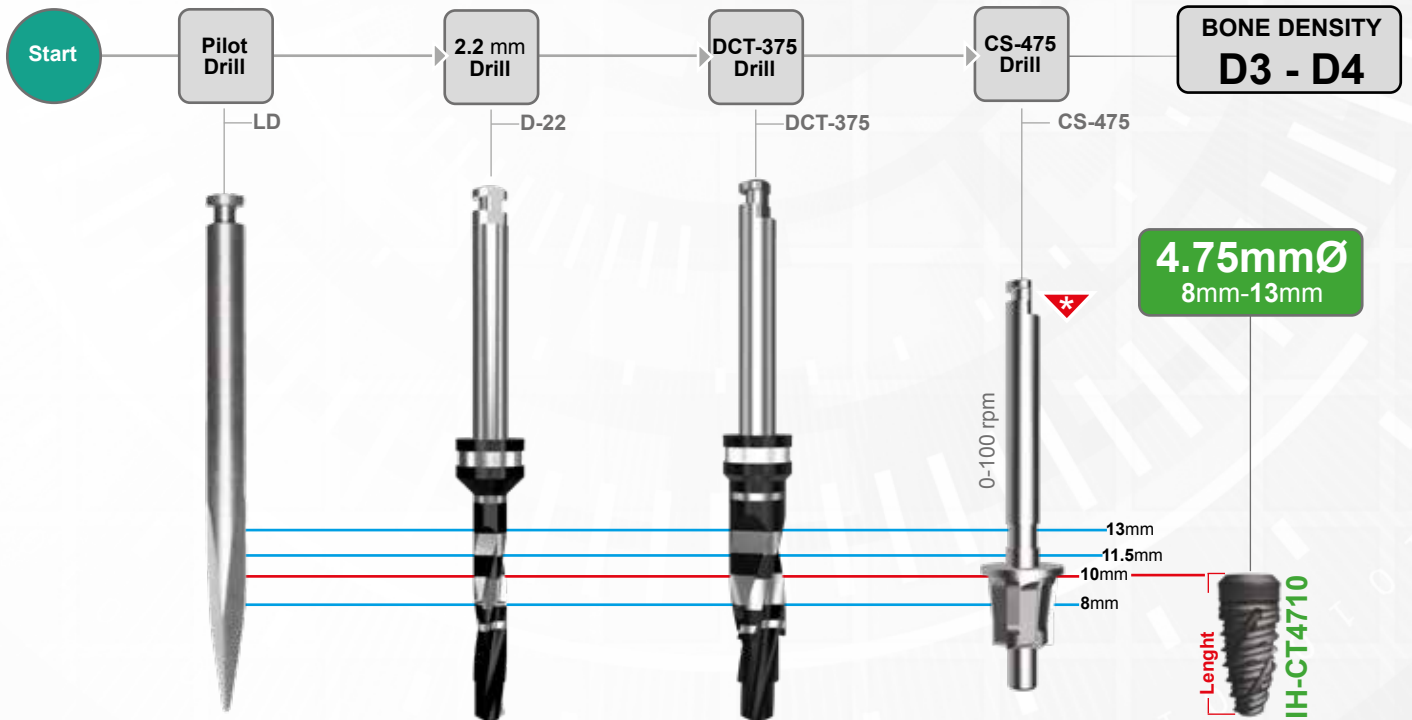
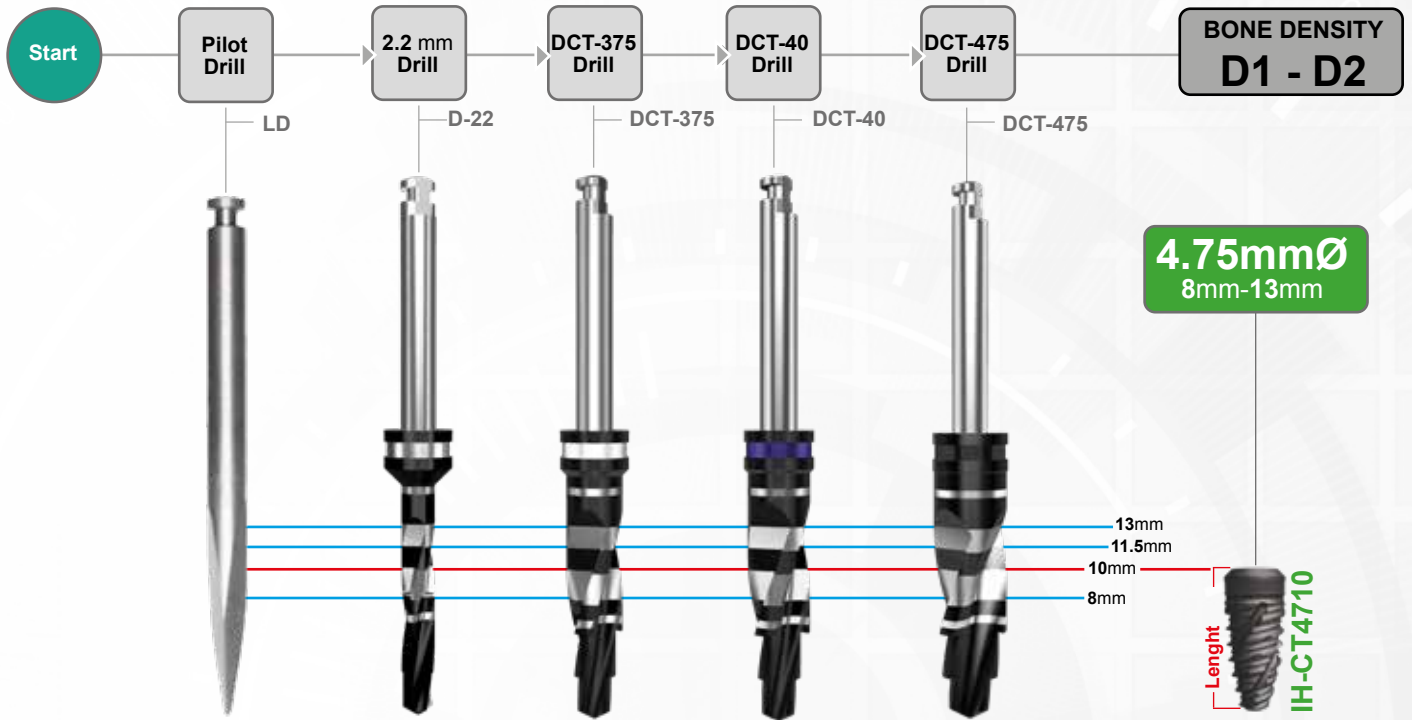
❖ To be used in the presence of hard cortex.

DRILL PASSAGES: Conic body implants



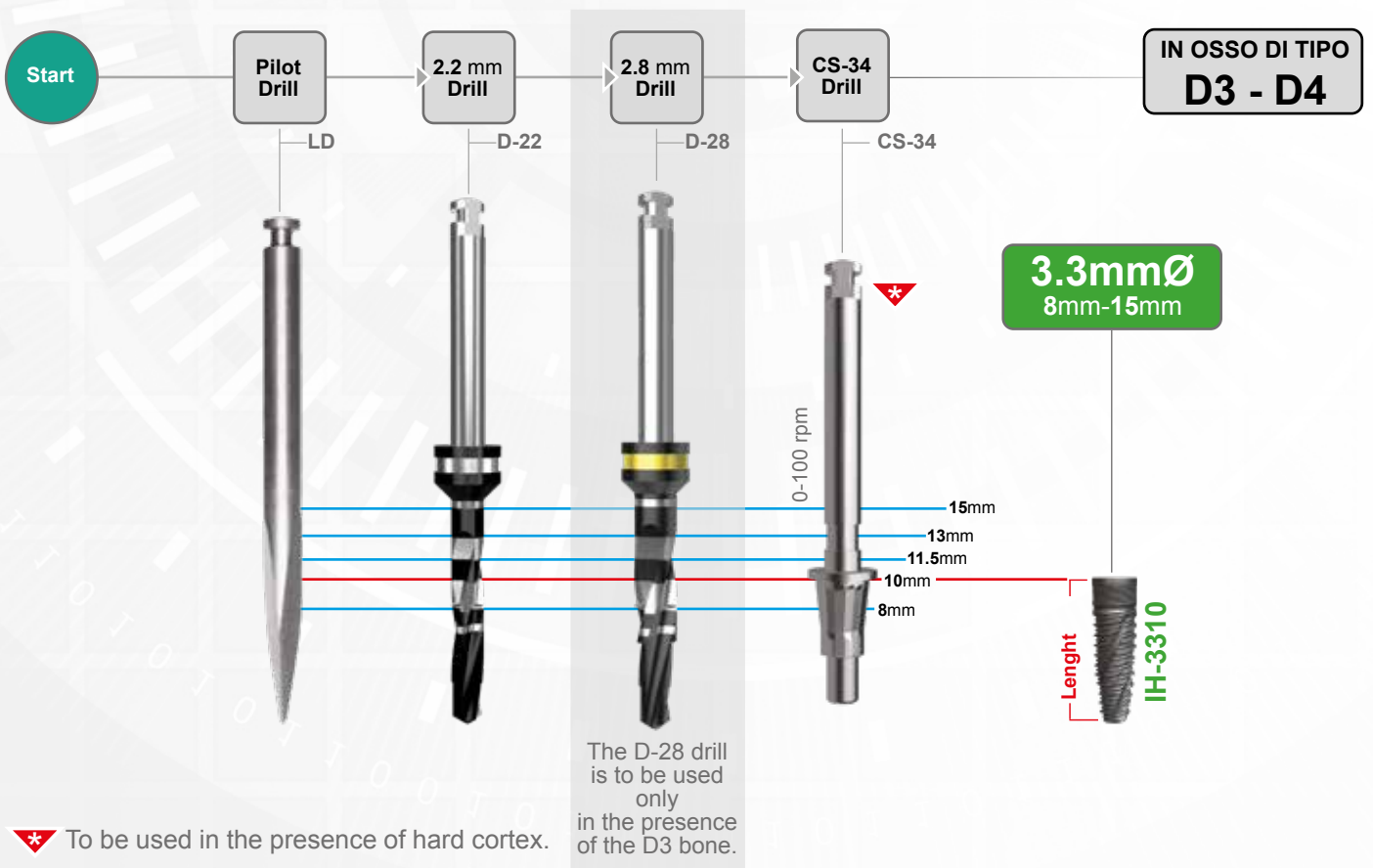
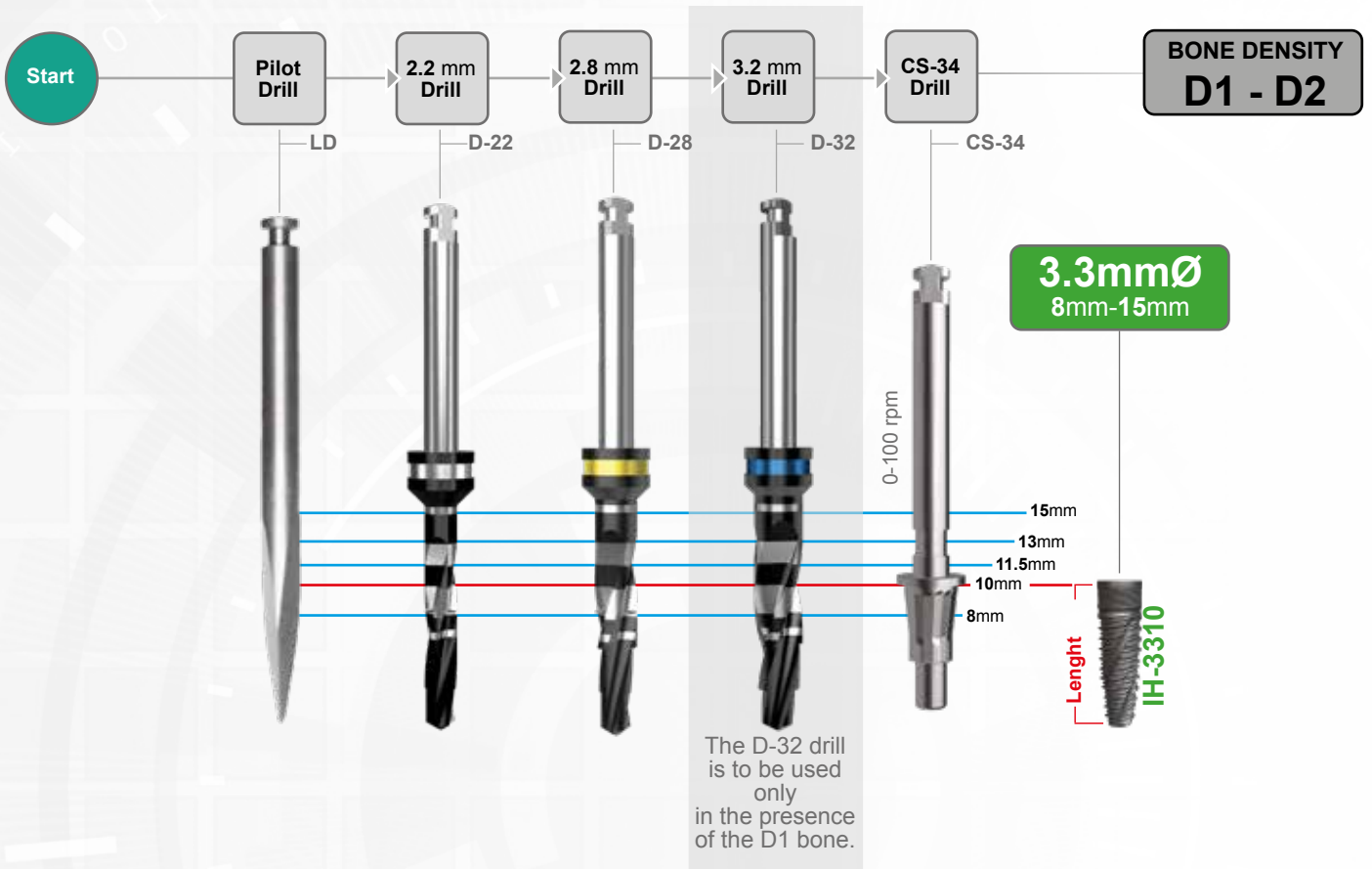
⚠ To be used in the presence of hard cortex.

DRILL PASSAGES: Conic body implants



✱ To be used in the presence of hard cortex.

DRILL PASSAGES: Straight body implants



⚠ To be used in the presence of hard cortex.

 **INTRA-LOCK**[®]
SYSTEM EUROPA

CE0425